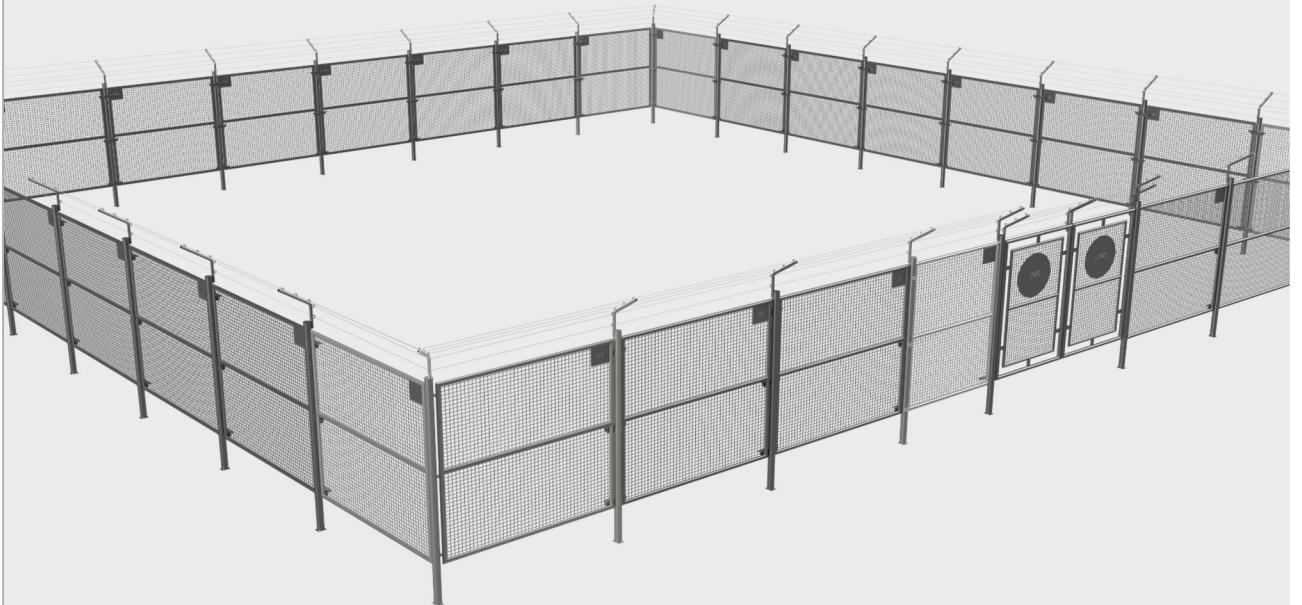




GULTA ENGINEERING INDUSTRIES CO.LTD

Security Fence





Gate

Code 28138

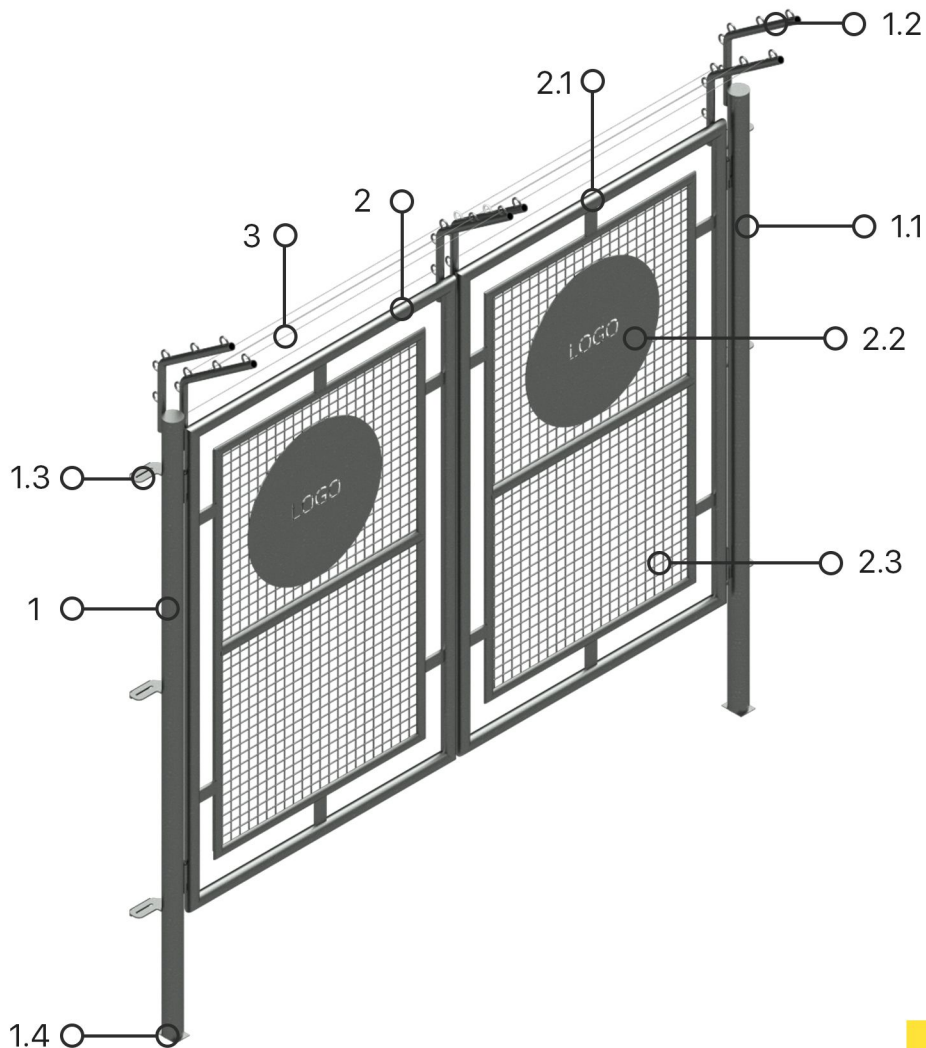
Gate size W 3.00xh 3.00 m

Parts :

- 1 Column Gate
 - 1.1 Circle Hollow Section
 - 1.2 Chain Link Barb Arm
 - 1.3 Connection Plate
 - 1.4 End Plate

- 2 Door Gate
 - 2.1 Frame
 - 2.2 Logo Plate
 - 2.3 Welded Wire Mesh 50x50- Ø 5.0 mm

- 3. Barbed Wire





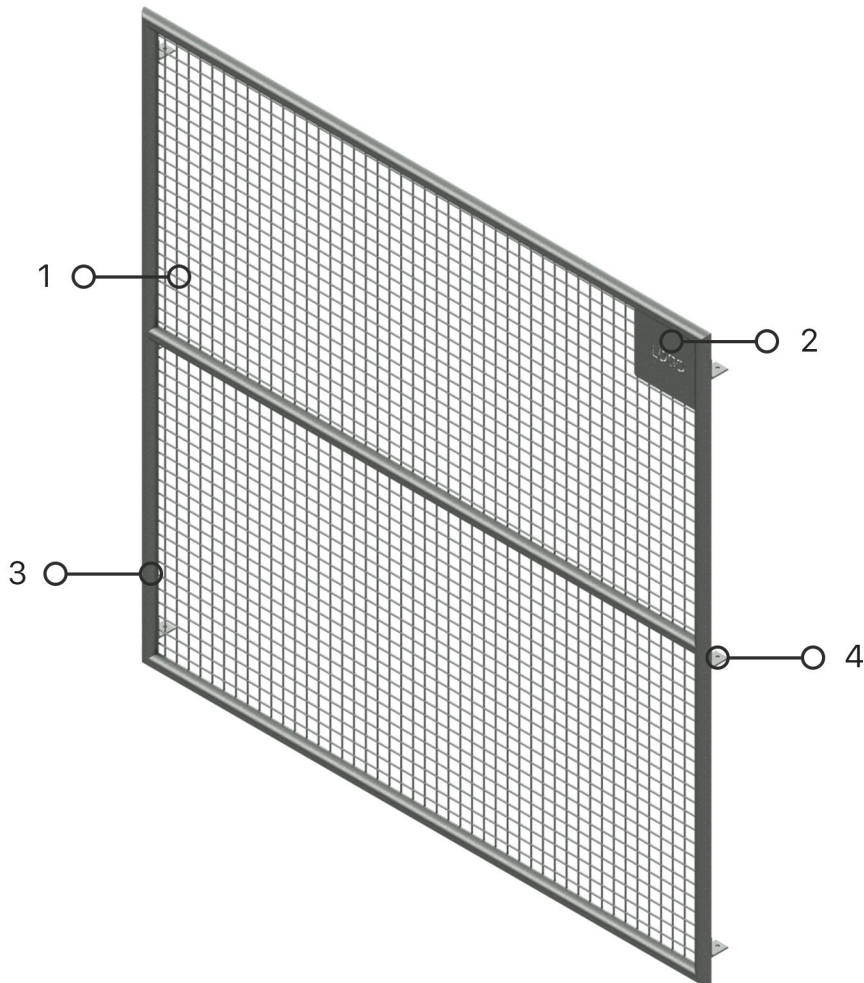
Panel

Code 28135

Panel Size W 2.40&1.76
& 1.00 x h 2.40 m

Parts :

1. Welded Wire Mesh 50x50- Ø 5.0 mm
2. Plate Logo
3. Frame
4. Connection Plate





GULTA ENGINEERING INDUSTRIES CO.LTD

Corner Column

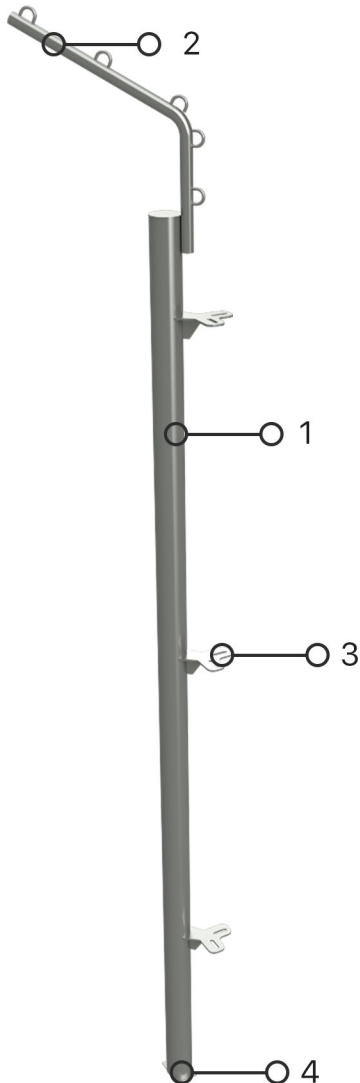
Code 28141

Column Size $\varnothing 88.9 \times h 3000$.

Security Fence - Corner Column

Parts :

1. Circle Hollow Section
2. Chain Link Barb Arm
3. Connection Plate
4. End Plate





GULTA ENGINEERING INDUSTRIES CO.LTD

Security Fence - Line Column

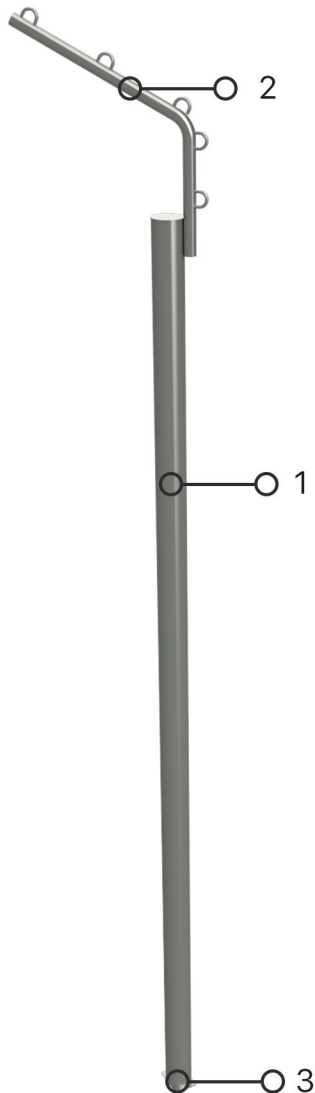
Line Column

Code 28139

Column Size $\varnothing 88.9 \times h 3000$.

Parts :

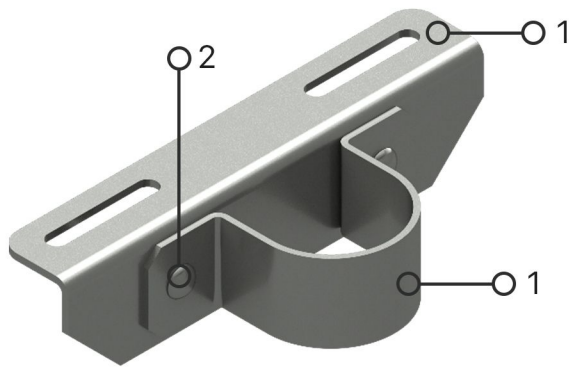
1. Circle Hollow Section
2. Chain Link Barb Arm
3. End Plate





Line Connection Clamp

Code 28142



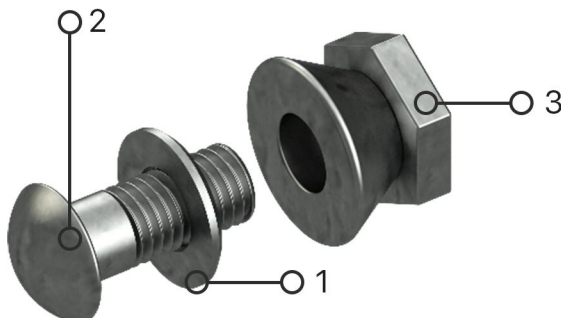
Security Fence - Line Connection Clamp

Parts :

1. Bendig Plates
2. Security bolt M12 QTY (2) with washer and nut

Security Bolt

Code 991331



Security Fences - Security Bolt

Parts :

1. Security bolt M12
2. Washer
3. Security nut M12